



Features:

1. 9.5Wp Multifunctional Solar LED Street Light.
2. PIR inductive Sensor.
3. 7.5V/5400mAh replaceable battery.
4. Built-in intelligent IC with over-charge, over-discharge and over-voltage protection.
5. IP65 water-proof for outdoor application.
6. ZERO electricity cost, environment friendly.

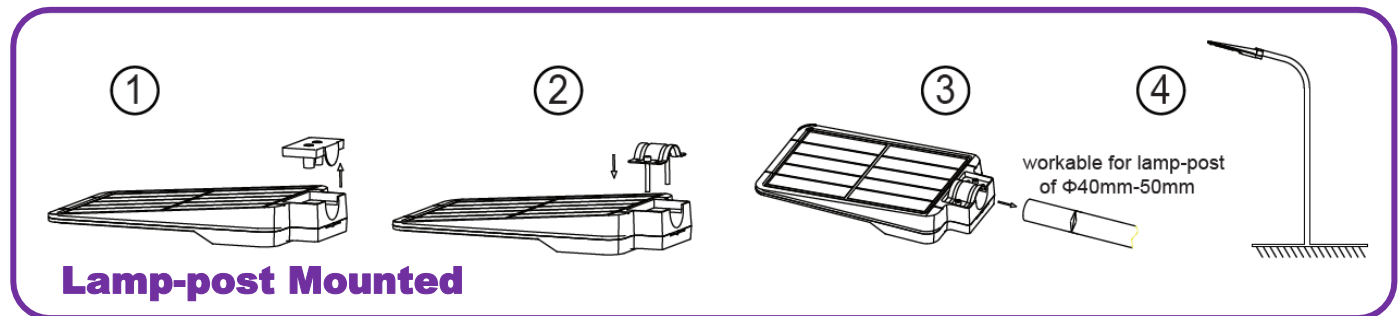
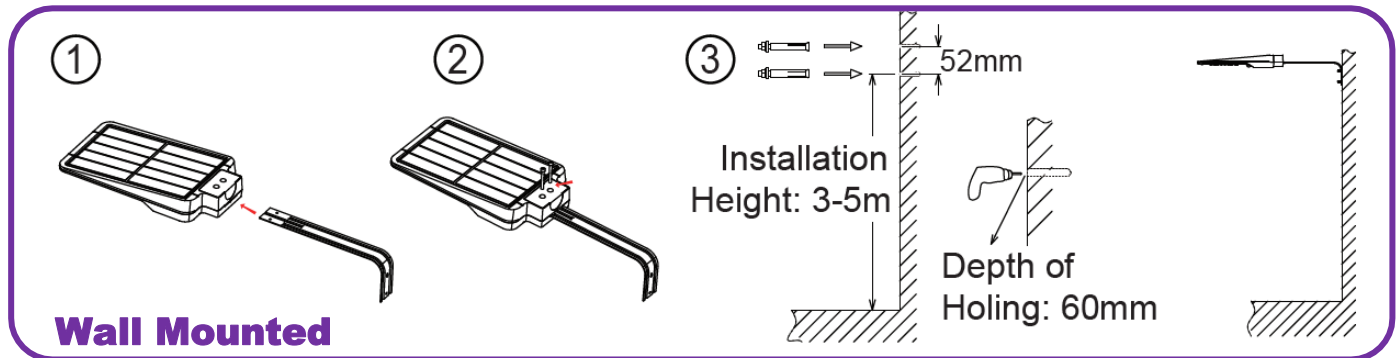
Applications

Can be used as a multi-functional Street or wall light. Applications for Gardens, Garage, Pathways, Streets, Entrances, Courtyards, Squares and other areas, where cable power may be unavailable.

Specifications

Product Code:	PRI-STREET-S-15W	Solar Panel:	9.5Wp, Poly Crystalline Silicon
LED Qty:	40pcs (SMD2835)	IP Rating:	IP65
Power:	15W	Lens Type:	140X70-TPII
Luminous Flux:	1600lm	Sensor Detection:	3~8m
Li-ion Battery:	7.4V/5400mAh (Replaceable)	View Angle:	120°
Battery Capacity:	5400mAh	Installation Height:	3~5m
		Dimensions:	413(L) X 232(W) X 58(H) mm

Installations





Work Mode Details

Smart Button:

⏻ ON/OFF

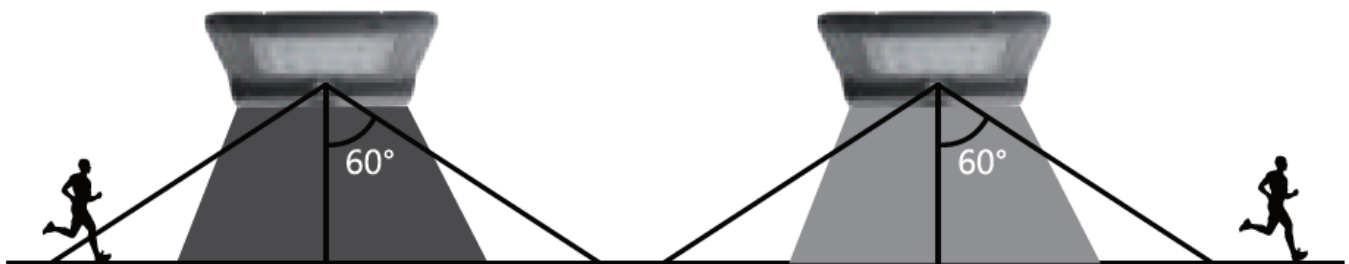
The unit has an auto-adjusting working mode. After pressing the Smart Button located on the right side of the PIR Inductive Sensor unit, it will power on and activate the sensor.



First 5Hrs of Operation after Full Battery Charge:

The unit runs as a normal Motion Sensor:

The light will be automatically turned on to full brightness (1600lm) when motion is detected (about 3~8m range) and then dimmed down after 20 seconds of no motion.



After 5Hrs of use or below 30% Battery Capacity:

The light runs as a Battery Saving Motion Sensor:

The light will be automatically turned on to full brightness (1600lm) when motion is detected (about 3~8m) and then dimmed down after 20 seconds of no motion. After 5 minutes, the light will be turned completely off until motion triggers it again.



Remark

1. As a solar product, please install the product with direct line of sight to sunlight.
2. The operation time of the unit is dependent on the amount of sunlight received and weather conditions during the daytime charging period, and frequency of use at night.
3. The unit, once turned on, will turn on automatically at dusk, and off at dawn, depending on light level.