

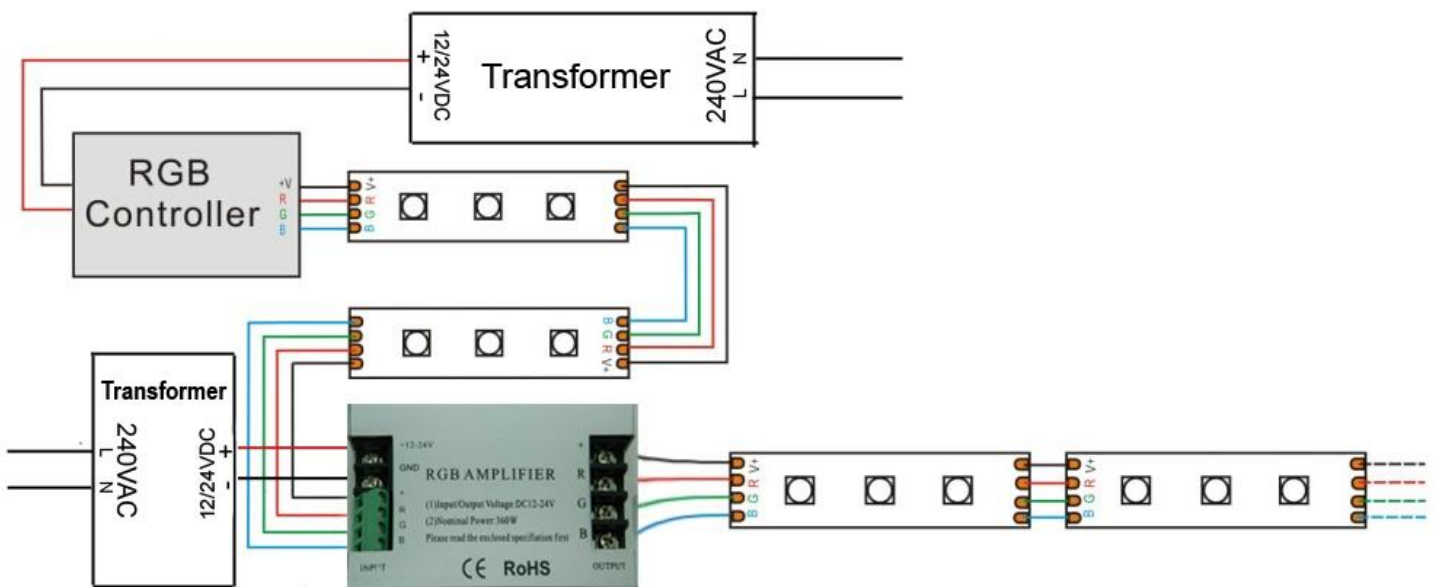
Features

1. For power repeat of synchronous changing signal;
2. Can be applied for and any RGB lighting or any extend static signal in both 12VDC and 24VDC.
3. Accepts PWM control
4. Match with many kinds of LED modules;
5. Theoretically can be connected limitless LED lighting by connecting the repeaters in series

Specifications

Product Code:	PRI-RGB-AMP-10A	Working temperature:	-20°~60°
Input Voltage:	12VDC-24VDC	Dimension:	120X63X23mm
Output:	3 CMOS drain-open anode	Packing size:	133X76X28mm
Max. output current:	10A each colour	Net weight:	130g
Connection mode:	Common anode	Gross Weight:	150g

Wiring Diagram



Remark:

- Can control various single colour modules and RGB modules with the common anode.
- Can controller Max. 360W (12V) or 720W (24V) RGB lighting. Also can control single colour modules, or a number of high power LED lamps (according to the connection method).

