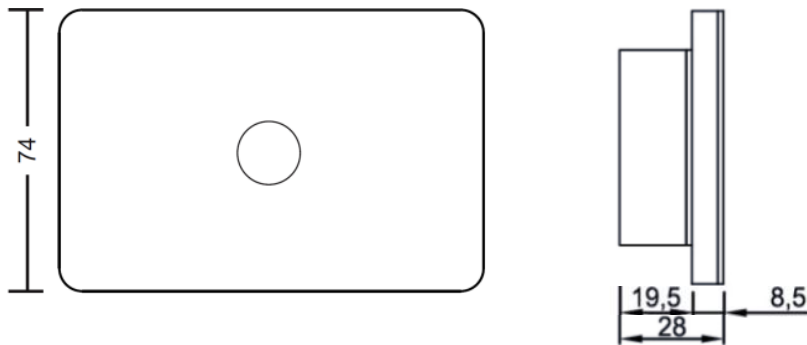




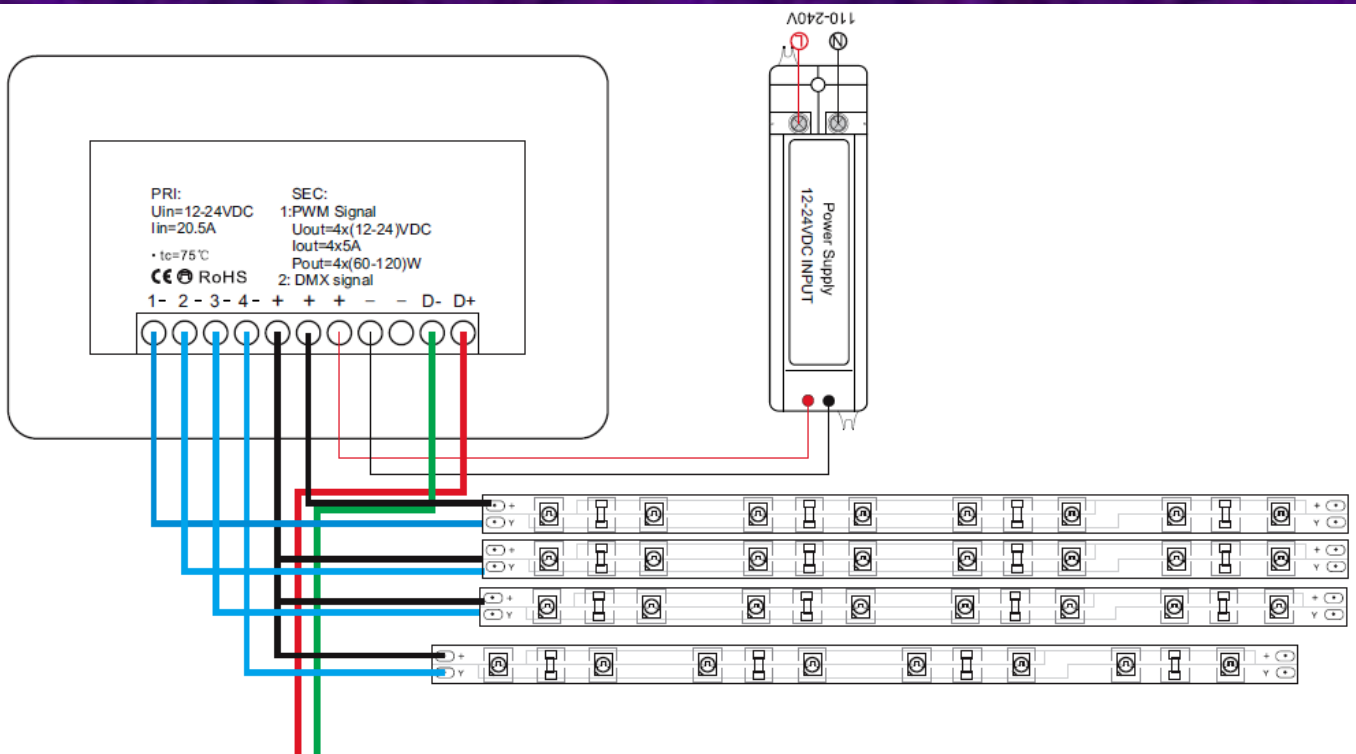
Features:

1. Glass face 4 channels Dimmer Controller
2. Input Voltage 12~24VDC
3. Current 4 X 5A
4. Max. output 48W X 4 = 192W (12VDC), 96W X 4 = 384W (24VDC)
5. PWM Dimming
6. Can be work with DMX512 Decoders to control more Single color lights
7. Push Kobo for Turn ON/OFF
8. Can be used with HPM/Clipsal Mounting Block if need

Dimensions



Wiring Diagram



Connect to DMX Controller if applicable.

