



## Features

1. PRI-AL-96 is a combo-controller of RS485, once you purchase the LED lamp which has RS485 function, you can make all the LED lamps do the synchronous change by PRI-AL-96.
2. PRI-AL-96 has got 20 different modes, such as marquee, random color, gradient... etc. PRI-AL-96 is extensible for update firmware, more than that; the mode program can be rewrite as requests.
3. To control more LED lamps, you can go with RSC167 to increase the signals as the driver of PRI-AL-96 is not capable enough.

## Specifications

### Function specification

User interface:	6 Keys + 8*2 Text LCD, IrDA Remote Control
Input interface:	Half-Duplex RS485 port (Default) * 1
Output interface:	Half-Duplex RS485 port * 1
Numbers of driver device:	>Lamp * 32 or PRI-AL-96 * 32
Total wiring distance:	>300 meter
String function:	Yes
Key-in program:	>= 8 sets

Can be accepted by PRI-AL-96 or other PRI-AL-96, Can be added by update program

### Power specification

Standard input voltage:	9~18VDC or 8~15VAC
Maximum input voltage:	24 VDC or 20 VAC
Input current:	<100mA
Power consumption:	< 1W

It'll burn up if the input voltage is larger than maximum.

### Environment specification

Working temp.:	0~50° C
Store temp.:	-20~60° C
Working humidity:	10~90 %
Size:	126.3 X 76.2 X 40 mm
Weight:	<0.5 Kg

Condensing condition excluded

### Optional

-96 Half-Duplex RS485 port \* 3 (Total Fan out = 96 device)

## Install Consideration

The products of the series has the precision circuits which controlled by microcomputers. For the safety concern, please read the following before using to avoid the risk of damage.



1. The product is used regularly (non-switch off condition), therefore; there's no power switch design for it. Please turn the power off when first time distributing the wire for safety reason.
2. Please do following the specification above to supply the power to our products. Be sure that the voltage is between the correct values, otherwise it might burn up when the voltage is too high, and it might not work properly when the voltage is too low.
3. PRI-AL-96 is for both AC and DC, please feeling free when using!

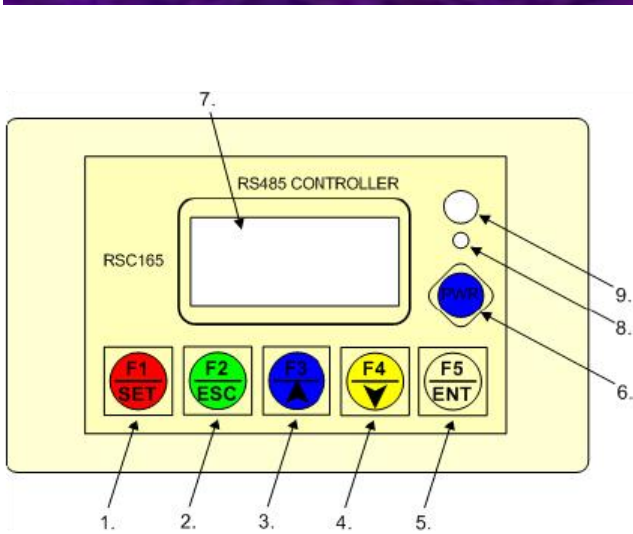


1. To avoid the man-made static caused damage, please do not touch any IC component when pick up PRI-AL-96.
2. RS485 interface can drive many devices, resist disturb, and be used for long distance, but there's still restriction of Fan-Out (drive) and total distance. To avoid the controlling unstable situation, please do follow the specification when using.

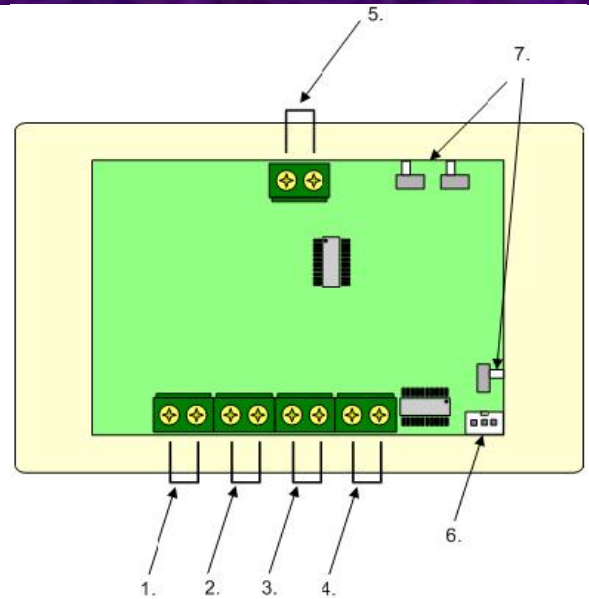




## Hardware Installation



(Front Cover)



(Rear Cover)

### Front Cover Details:

NO.	Name	Use		Remarks
		Normal mode	System mode	
1	F1	Normal mode	Hot key of 1 <sup>st</sup> mode	
		System mode	Press and hold for 2 sec. to enter the system mode	
2	F2	Normal mode	Hot key of 2 <sup>nd</sup> mode	
		System mode	Exit the system mode (without any saving)	
3	F3	Normal mode	Hot key of 3 <sup>rd</sup> mode	
		System mode	Select upwards	
4	F4	Normal mode	Hot key of 4 <sup>th</sup> mode	
		System mode	Select downwards	
5	F5	Normal mode	Hot key of 5 <sup>th</sup> mode	
		System mode	Enter button	
6	PWR	On/Off control of all the LED lamps under the PRI-AL-96		
7	LCD winder	Process message display		
8	POWER	Green light ON	Indicate all the lamps OFF	Easy to find in the dark
		OFF	Indicate all the lamps ON	
9	Infrared window	Receiving the infrared signal by LED lamp remote control		

### Rear Cover Details:

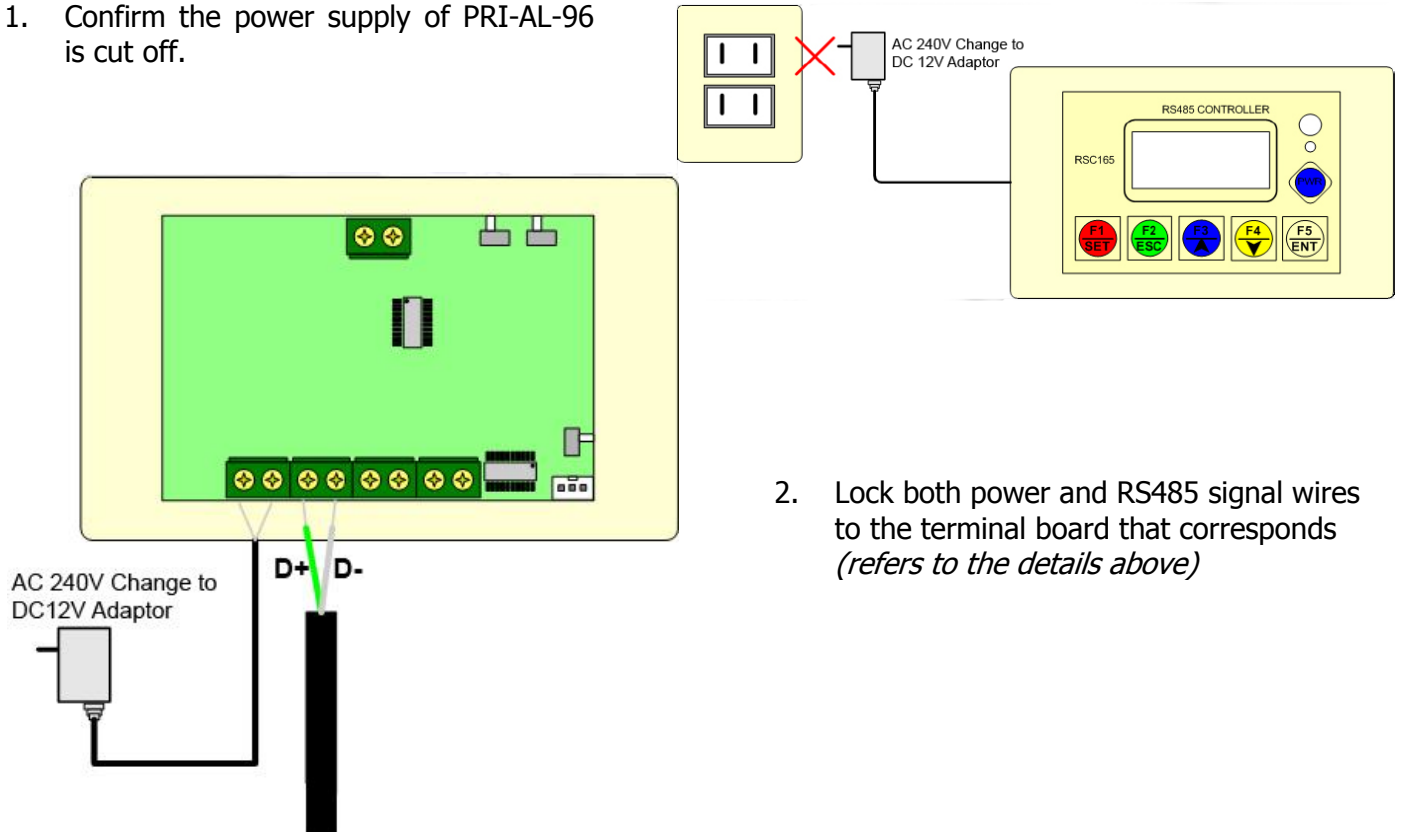
NO	Name	Use	Remarks
1	Power input terminal	Offer the power to PRI-AL-96	8~20V (AC/DC sharing)
2	1 <sup>st</sup> RS485 output terminal	1 <sup>st</sup> RS485 output, can drive 32 devices	Please beware of the polar
3	2 <sup>nd</sup> RS485 output terminal	2 <sup>nd</sup> RS485 output, can drive 32 devices	Please beware of the polar
4	3 <sup>rd</sup> RS485 output terminal	3 <sup>rd</sup> RS485 output, can drive 32 devices	Please beware of the polar
5	RS485 input terminal	Accepting the RS485 input internal which controlled by PRI-AL-96	Please beware of the polar
6	Firmware download connector	Firmware upgrade	Please do not upgrade it by yourself
7	Upgrade mode switch	Firm upgrade switch on/off	Please do not upgrade it by yourself





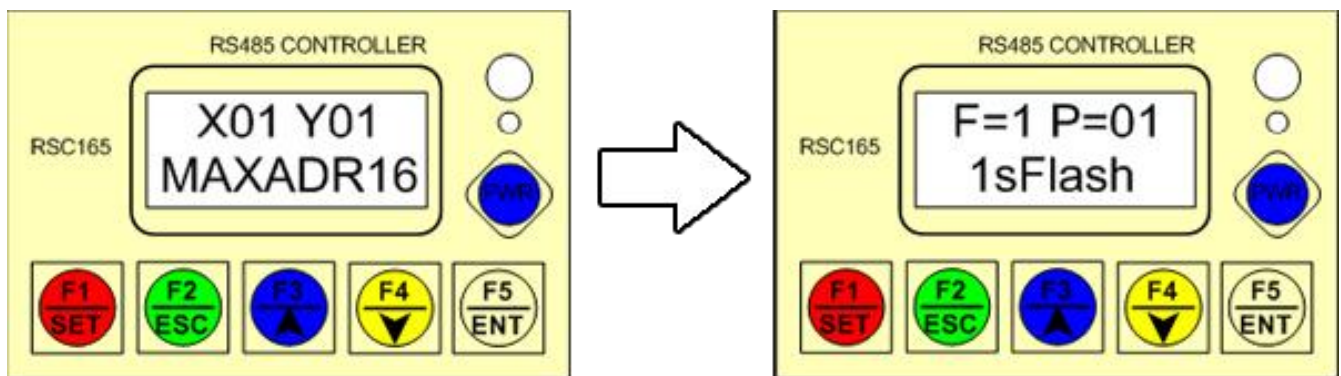
## Operating Instructions



1. Confirm the power supply of PRI-AL-96 is cut off.



2. Lock both power and RS485 signal wires to the terminal board that corresponds (refers to the details above)

3. Turn on the power
4. Make sure the screen is working normal like pictures below



5. Hold  for 2 seconds; make sure all the LED lamps can be turn off. Press  again to confirm that all the lamps can be turn on.
6. Ready for use.

