



Features:

1. Multi-voltage 12-24V downlight with high output.
2. Aluminium body for good heat dissipation.
3. White powder coated surface.
4. Low power consumption. Environment friendly and up to 80% energy cost savings.
5. Wide view angle of 90°, very evenly diffused.
6. Dimmable with DC dimmer.
7. Perfect for boat, caravan and truck etc.
8. No electronic wave and/or RF interference.

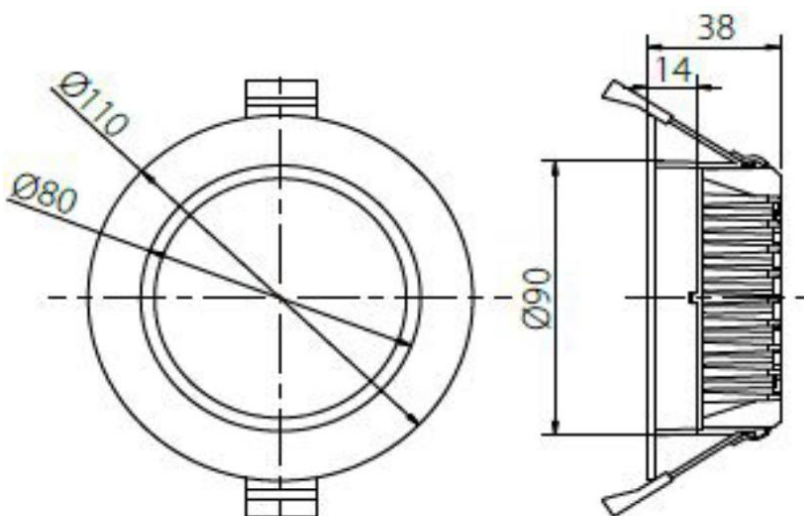
Application

- Hotels, Conference & Meeting rooms
- Factories & Offices
- Commercial Purposes
- Smart Home (Residential and more)
- Hospitals
- Places where energy saves, and high color rendering index lighting are needed
- Schools, Colleges & Universities

Specifications

| | | | |
|---------------------|-------------------|----------------|------------|
| Product Code: | PRI-US-13W-12-24V | IP Rated: | IP20 |
| Working Voltage: | 12-24VDC | View Angle: | 90° |
| Power Consumption: | 13W | CRI: | >95 |
| Colour Temperature: | 3000K/6000K | Working Temp.: | -20°C~65°C |
| Luminous Flux: | 950 lumens | Net Weight: | 200g |

Dimensions



Cutout: Ø90mm

