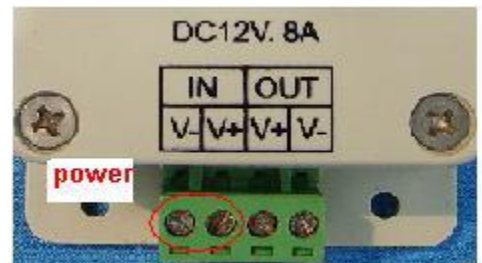
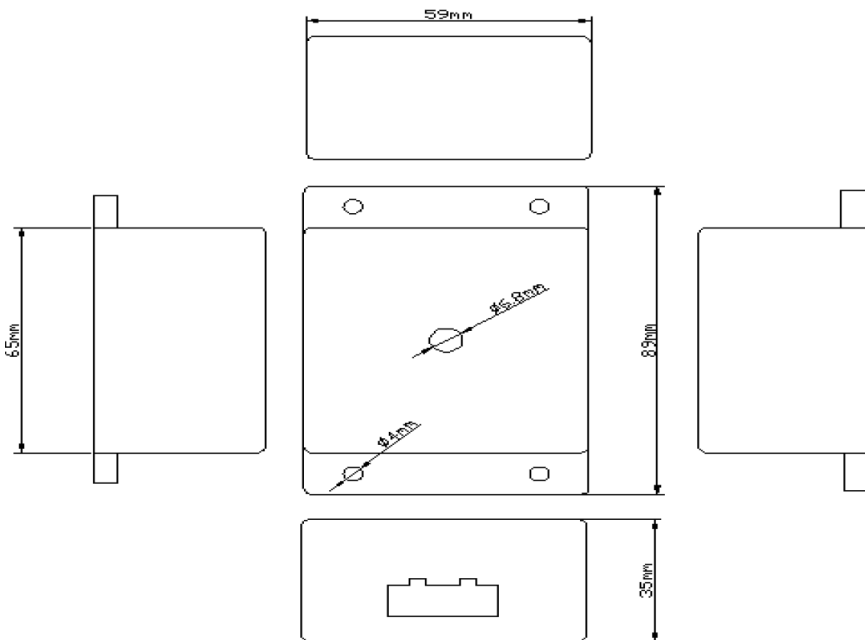




Technical Parameters

1. Working temperature: -20-60 °C
2. Supply voltage: 12~24VDC
3. Output: 1 channel
4. External dimension: L89 X W59 X H35 mm
5. Packing size: L96 X W64 X H65 mm
6. Net weight: 85 g
7. Gross weight: 110g
8. Static power consumption: <1 W
9. Output current: <8 A
10. Power output: 96 W

Dimension & Interface Specifications

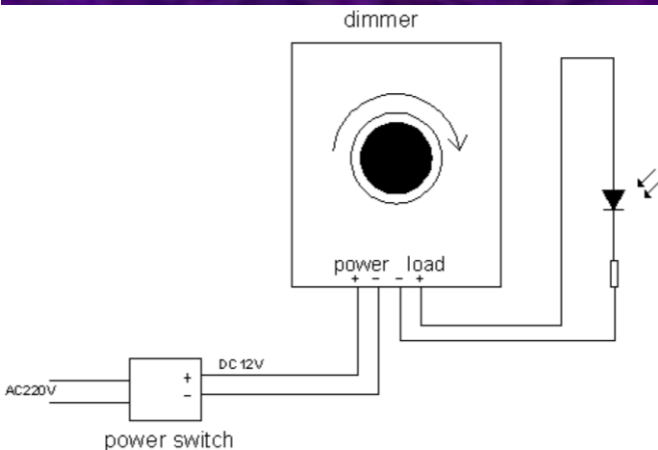


Power input interface:
 Adopt male and female connector with screw



Load output interface:
 Adopt male and female connector with screw

Wiring Diagram



1. Carefully connect the load wire at first, following by the power wire before the power switch on.
2. Adopt rotary button, its function as follows:
 - Rotate button to the right, the light will be become brighter until full power.
 - Rotate button to the left, the light will be less power until turned off.

