



## Features:

1. Gimbal LED down light with high- brightness COB LED built inside plus innovative high-reflectance Mirror.
2. Reflector with Diamond lines to control the beam angle.
3. Can be rotated by 360° in horizontal direction and 90° in vertical direction.
4. Great design, as excellent light distribution as conventional lamps.
5. High CRI>85.
6. Works with Clipsal leading edge or universal dimmer.
7. No heat radiation, no UV and no flicker, environment friendly
8. High output efficiency >90%

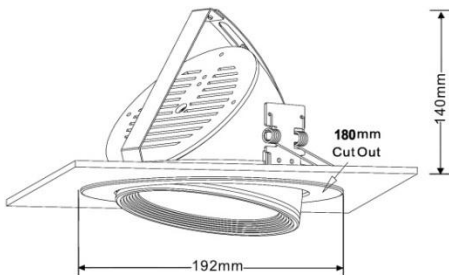
## Application

- Saloon, Art display lighting.
- Domestic Lighting
- Exhibitions ,Fashion Shops outlets Etc.
- Architectural, Commercial application.
- Shopping Centres.
- Hotel, Conference halls.

## Specifications

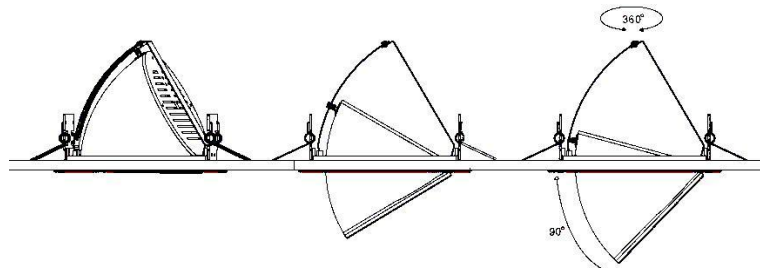
Product Code:	PRI-YH-20W	Colour Temperature:	CW (5000~6500K)
Input Voltage:	240VAC		WW (2700~3300K)
Power Consumption:	20W	Body Material:	Aluminium Alloy, PC & Heat Pipe
Luminous Flux:	1900lm	Working Temperature:	-30°C~+50°C
Beam angle:	60°	Working Humidity:	10%~90%RH
CRI:	>85		
Net weight:	1.26 Kg		

## Dimensions & Cut out



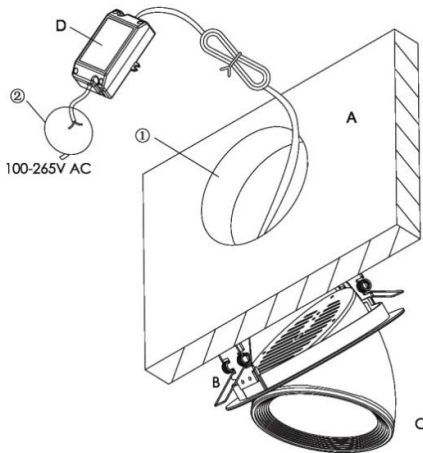
Diameter:  $\Phi 192\text{mm}$  (Face Plate)  
 Cut out:  $\Phi 180\sim 185\text{mm}$   
 Height: 140mm

## Range of rotate





## Installation



- A. Wall / Ceiling
- B. Clips (spring)
- C. LED Lamp
- D. Driver

1. Make a hole
2. Connect the power wire
3. Push clip spring
4. Put the lamp in the hole

## Light Distribution & Lux

