

PRISMA LED PTY LTD
MANUFACTURERS | DESIGNERS | WHOLESALERS



Instruction



PRI – FLOOD 30

www.prismaled.com.au

OFFICE & SHOW ROOM
12 Millaroo Drive
HELENSVALE
QLD 4212

PH: 07 5500 0516
FAX: 07 5500 0515

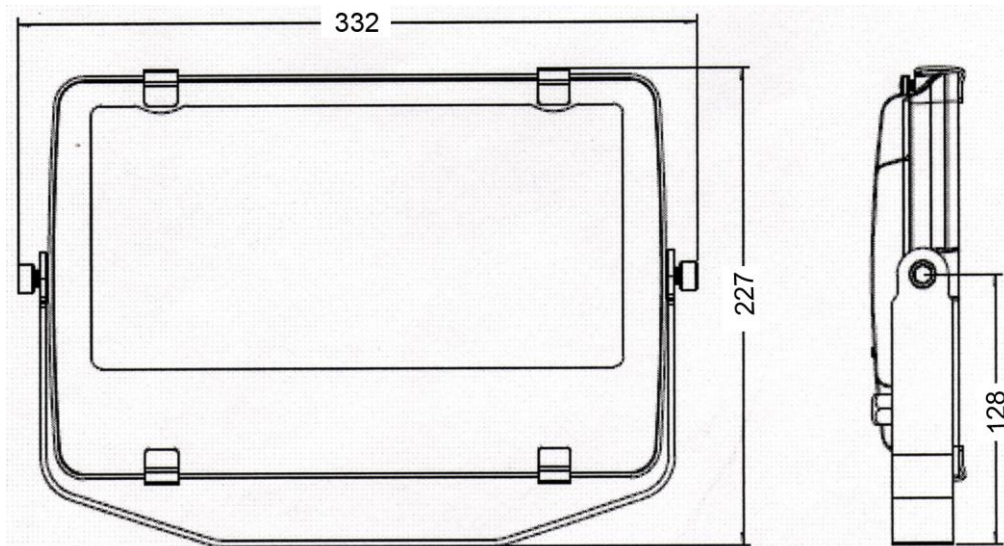
NATIONAL SALES & ENQUIRIES
1300 PRISMA
1300 774762

Features:

It is the floodlight fitting which is in accordance with the requirements of the LED thermal characteristics design and especially suitable for front projection illumination and selective lighting. In addition, the floodlight can also be used to illuminate the structure of buildings. With the Prisma Décor colour change control system, it will become your ideal choice for the design of creative conception and the dynamic illumination.

- A. Imported LED light source.
- B. 5 standard colours of lights available, including red, green, blue, amber and warm white.
- C. With the Prisma Décor full-colour control system, 256 grey scales can be achieved for colour of RGB and thus 166,700,000 colours can be presented in all.
- D. With the programmable individual illumination unit, more colour change effects can be produced.
- E. The standard LED lens or the secondary luminous density distribution technology makes the luminous density distributed accurately, with the uniform brightness generated.
- F. Proper installation position of the light fitting and the light source, without any signal attenuation produced due to the difference in distance or Led colour bias caused by the drop of voltage.
- G. Class IP65, waterproof and dust protection.

Product Size (Unit: mm)

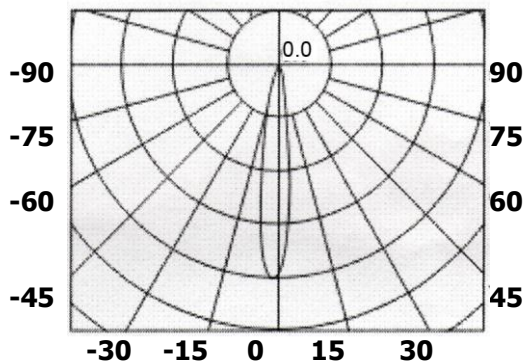


Technical Parameters

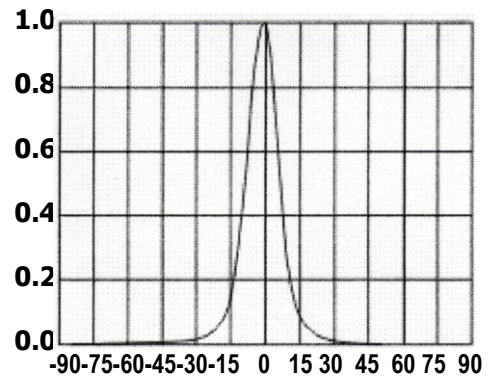
Product:	LED Floodlight	Light beam angle:	60°
Item Code:	PRI – FLOOD 30	LED quantity:	30 pcs
Input voltage:	24 VDC	Protection:	IP65
Power:	30 W	Work temperature:	-30° < Ta < 40°
Current:	2.1 A	Life time:	≥ 50000 (hours)
Lumens:	1500lm	Size:	332x227x44(mm)
Colour temperature:	5000k – 6000k	Net Weight:	2.1 (kg)
Red Lumens: 1850 lm		White Lumens: 2400 lm	
Yellow Lumens: 1850 lm		Warm White Lumens: 2400 lm	
Blue Lumens: 650 lm		RGB Lumens: 1850 lm	
Green Lumens: 2400 lm			

Material: Light body: High – pressure aluminium cast, with the anodizing treatment.
 Mounting rack: Stainless, with environmental protection flour carbon electrostatic coating.

Distribution Curve Flux

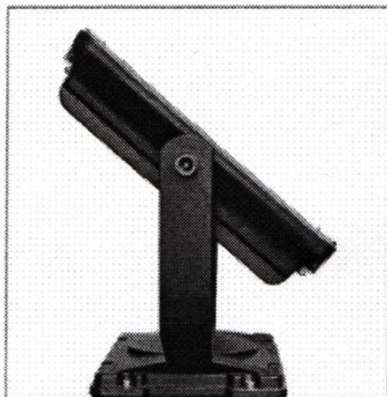


Luminous Density Distribution Curve represented in the rectangular coordinate system.

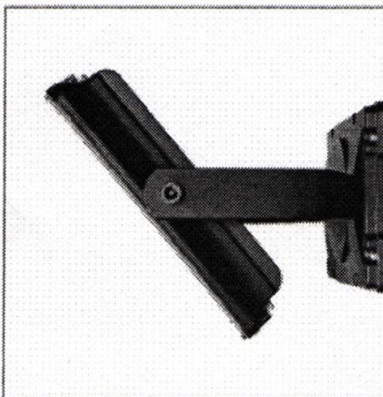


Luminous Density Distribution Curve represented in the polar coordinate system.

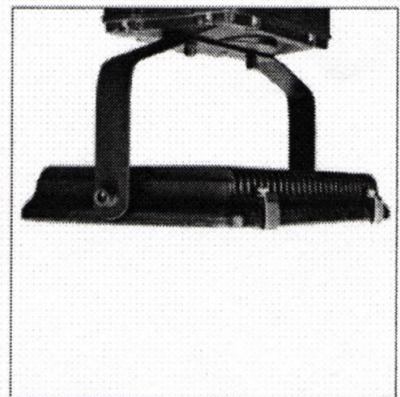
Installation drawing



Horizontal Installation

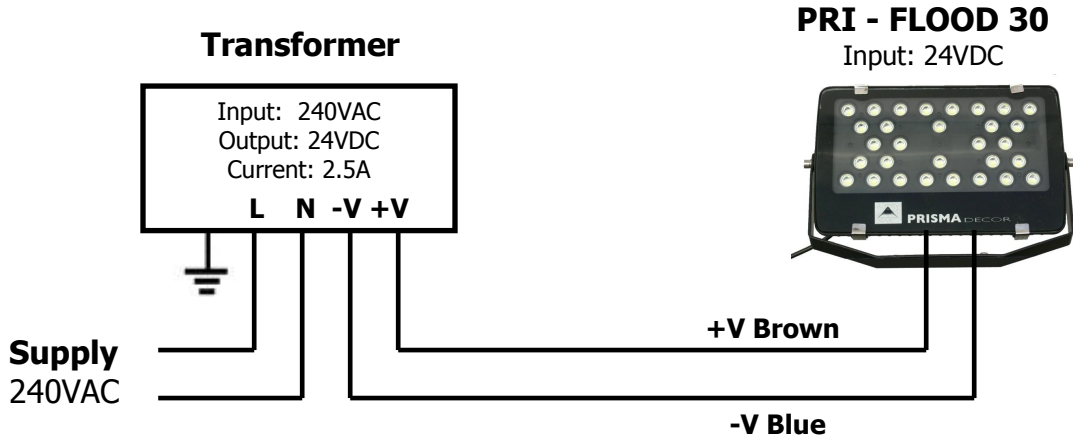


Wall Mounting

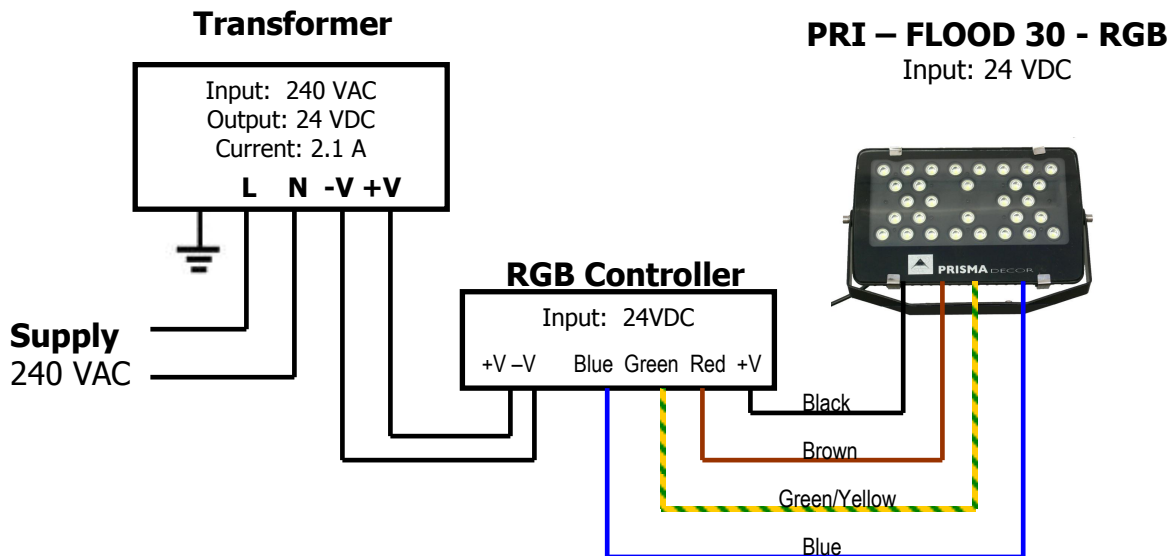


Ceiling Mounting

Connect wire



DMX – RGB



The floodlight of the Prisma Décor LED illuminating light family can be extensively applied to the illumination of the facades of various buildings and bridges. Also, it can be used in the illumination of such site as street, trees in the park, leisure square, business centre and stage background, etc.

Notes

Please read the instructions carefully before using the products, accordingly before operating. All work has to be done by licensed electrician.