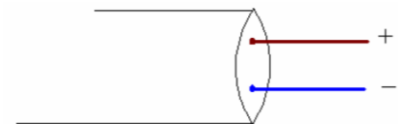
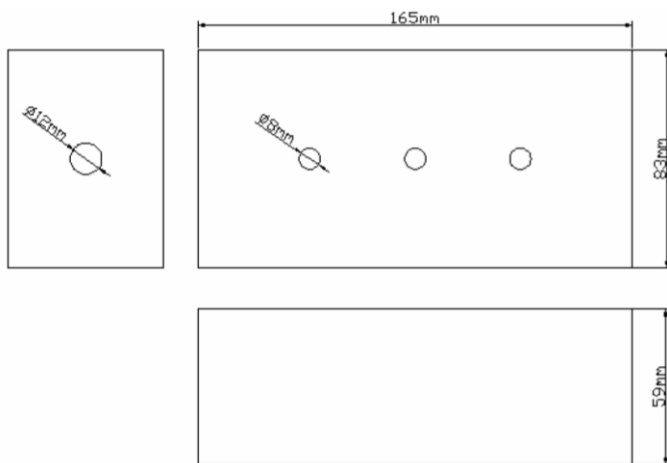




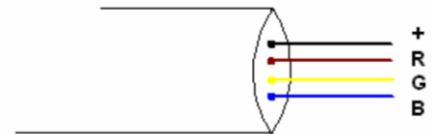
Technical Parameters

1. working temperature: -20-60 °C
2. power supply voltage: 12/24VDC
3. output: 3 channels
4. external dimensions: L130XW40XH52mm
5. package size: L140XW50XH60 mm
6. net weight: 95g
7. gross weight: 120g
8. static power consumption: <1W
9. output current: <4A
10. output power: <144W

Dimension & Interface Specifications

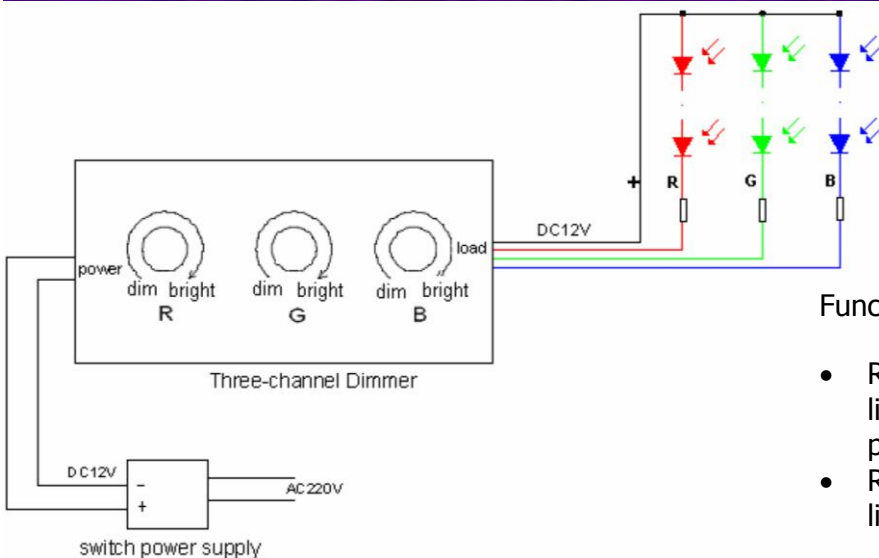


Power input interface:
 Adopt two-sheath wires as the input interface wire of power:
 Note: **Brown wire - +, Blue wire - -**



Load output interface:
 Adopt four-sheath wires as input/output interface wire of signal:
 Note: **Black wire - +, Brown wire - R**
Yellow wire - G, Blue wire - B

Wiring Diagram



1. Carefully connect the load wire at first, following by the power wire before the power switch on.
2. Adopt rotary button. There are three load output channels.

Functions:

- Rotate button to the right, the colour of light will be become brighter until full power.
- Rotate button to the left, the colour of light will be less power until turned off.

